

MS-A

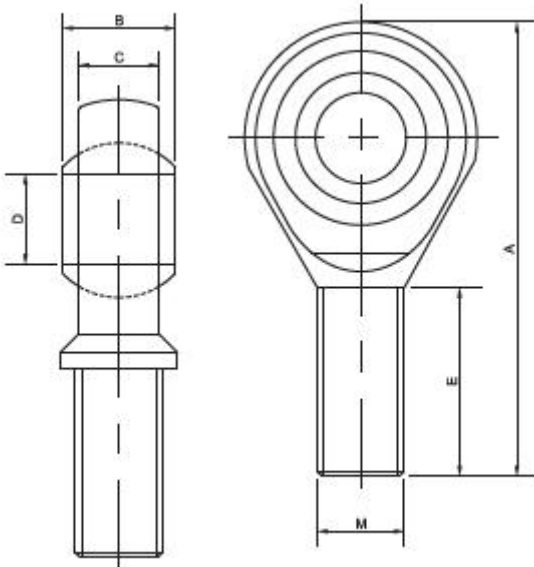
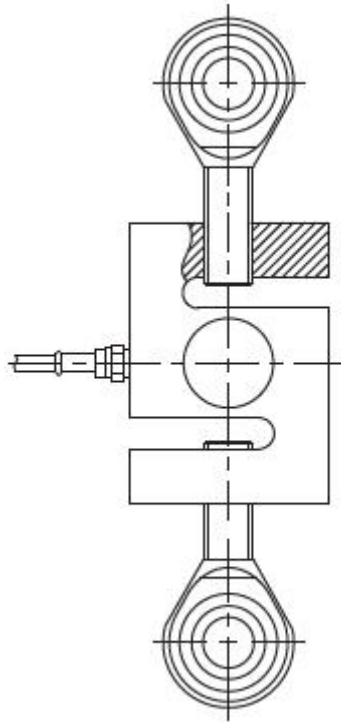
Parameter

Material 材料: Alloy 合金钢, Stainless 不锈钢

Application

S type Load Cell 适用于 S 型传感器

Outline Dimensions



Size	A	B	C	D	E
M8*1.25	56.0	12.0	8.5	8.0	27.0
M12*1.75	72.0	16.0	12.0	12.0	32.0
M18*1.5	96.0	23.0	16.5	18.0	41.0
M24*1.5	125.0	31.0	22.0	25.0	56.0
M24*2	125.0	31.0	22.0	25.0	56.0
M30*2	146.5	34.0	26.0	30.0	70.0
M33*2	182.0	24.5	22.0	34.0	84.0
M39*2	193.0	28.0	24.0	39.0	86.0
3/4-16	104.0	21.0	16.0	20.0	50.0
1-14	139.0	34.93	25.4	25.4	54.0
1¼-12	139.0	34.93	25.4	25.4	54.0



Huzhou Liheng Electronic Technology Co., Ltd

www.lihengkeji.com