

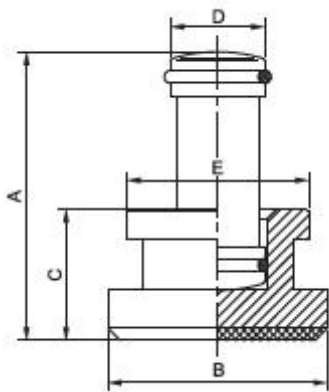
Parameter

Material 材料: Alloy 合金钢, Stainless 不锈钢

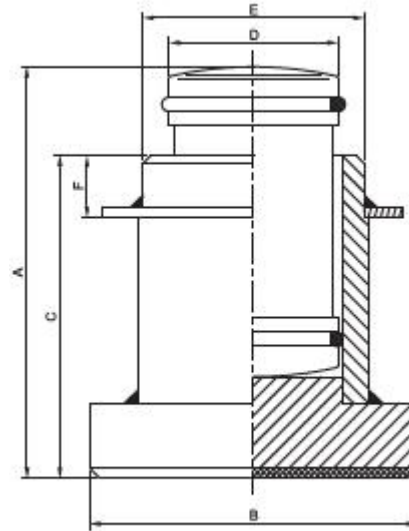
Application

Shear beam Load Cell 适用于悬臂梁传感器

Outline Dimensions



2-5t



10,20t

Capacity	Size (mm)						
	t	A	B	C	D	E	F
2-3		46.0	35.0	21.0	15.0	29.0	/
5		59.0	42.0	38.0	21.0	35.0	/
10		83.0	57.0	62.5	30.0	38.0	12.0
20		87.5	70.0	68.0	36.0	47.0	13.0

