

# Foot

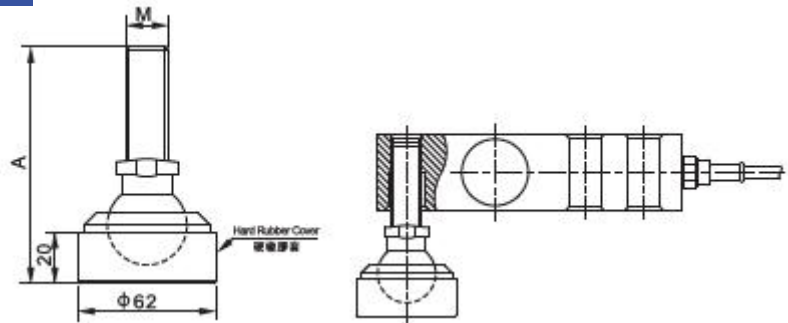
## Parameter

Material 材料: Alloy 合金钢, Stainless 不锈钢

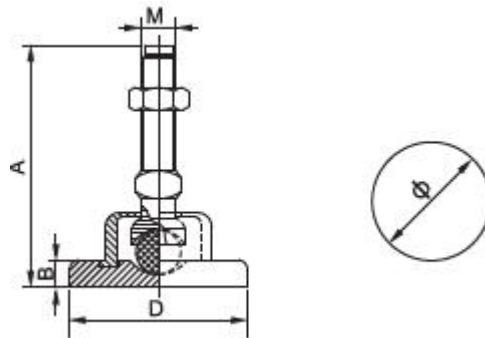
## Application

Shearbeam Load Cell 适用于悬臂梁传感器

## Outline Dimensions



Size	A	M
LHG005-02	85	M12*1.75
LHG025-05	85	M18*1.5
LHG010-5se	92	1/2-20
LHG005-10	92	3/4-16



Φ
22.2
24.5
38.1
41.28
76.25

Size	A	B	C	D
LHE005-02	86.4	9.6	47.6	1/2-20
LHE025-05	87.0	9.6	63.5	1/2-20
LHE010-5se	86.4	9.6	76.7	1/2-20
LHE005-10	109.0	12.7	76.6	3/4-16

