

LHY-1M



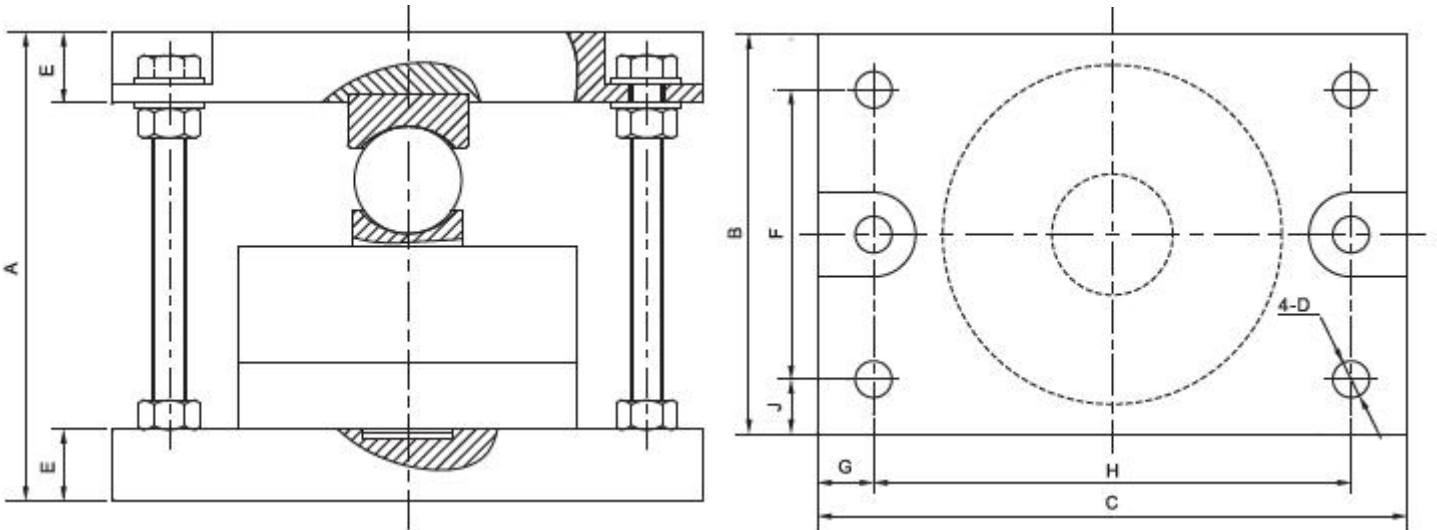
Application

For LHY-1 application
LHY-1 安装模块

Parameter

Material 材料: Alloy 合金钢, Stainless 不锈钢
Capacity 量程: 50kg-100t, 1Klb-200Klb

Outline Dimensions



Capacity		Size (mm)								
Klb	t	A	B	C	D	E	F	G	H	J
1-15	0.5-7.5	127.0	124.0	184.0	13.0	20.0	90.0	17.0	150.0	17.0
25-50	10-25	165.9	142.0	210.0	13.0	25.0	103.0	20.0	170.0	19.5
100	50	190.6	175.0	240.0	13.0	25.0	136.0	35.0	170.0	19.5

