

LHP-4M



Application

For LHP-4 application

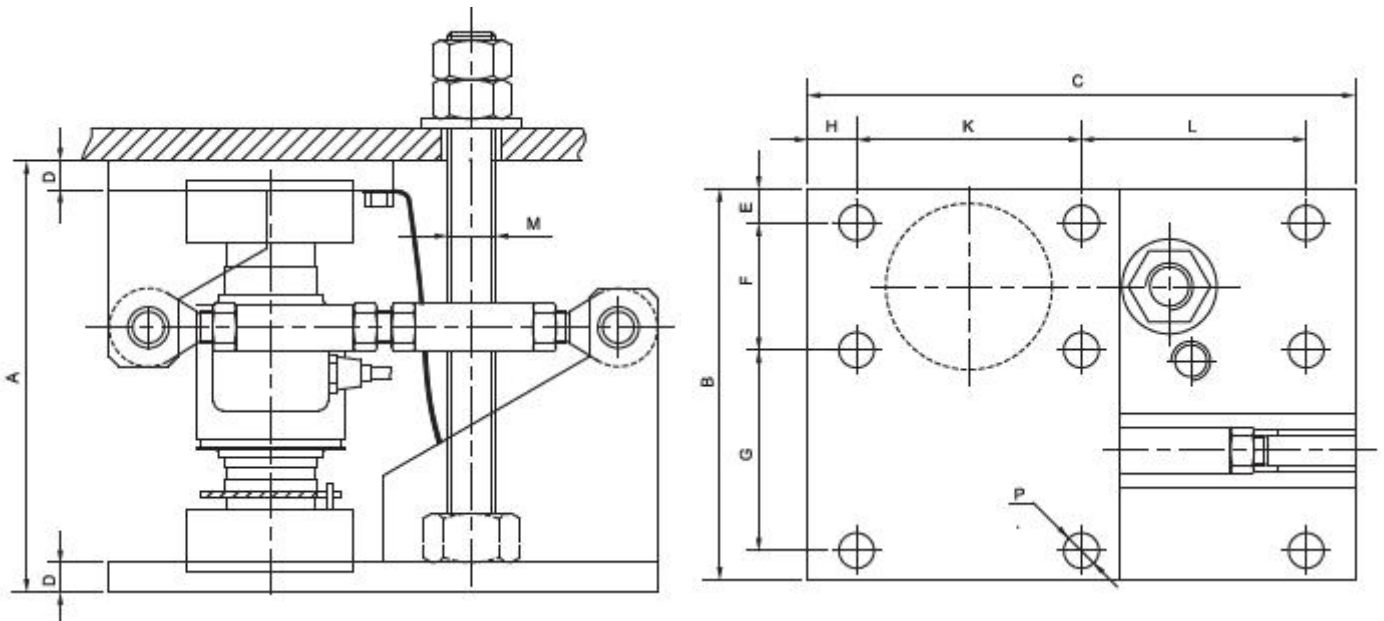
LHP-4 安装模块

Parameter

Material 材料: Alloy 合金钢, Stainless 不锈钢

Capacity 量程: 20t-50t

Outline Dimensions



Capacity	Size (mm)											
t	A	B	C	D	E	F	G	H	K	L	P	M
20-40	220.0	200.0	280.0	15.0	17.5	65.0	120.5	25.0	115.0	115.0	18.0	24.0
50	290.0	200.0	280.0	20.0	17.5	65.0	120.5	25.0	115.0	115.0	18.0	36.0



Huzhou Liheng Electronic Technology Co., Ltd

www.lihengkeji.com