

## Application



Crane Scale

适用于吊钩秤

Accessories: Hook, Ring

配件: 吊钩、吊环

## Parameter

Material 材料: Alloy 合金钢

Capacity 量程: 1t-30t

Rated Output 额定输出: 1.5mV/V

Non Linearity 非线性:  $\pm 0.02\%F.S.$

Hysteresis 滞后:  $\pm 0.02\%F.S.$

Repeatability 重复性:  $\pm 0.01\%F.S.$

Creep (30min) 蠕变:  $\pm 0.02\%F.S.$

Zero Balance 零点输出:  $\pm 1.00\%F.S.$

Tem.Effect on Zero 零点温度系数:  $\pm 0.02\%F.S./10^{\circ}C$

Tem.Effect on Output 额定输出温度系数:  $\pm 0.02\%F.S./10^{\circ}C$

Input Impedance 输入电阻:  $765 \pm 15\Omega$

Out Impedance 输出电阻:  $700 \pm 5\Omega$

Insulation Impedance 绝缘电阻:  $\geq 5000M\Omega$

Excitation Voltage 供桥电压: 10V (DC/AC)

Compensated Tem.Range 补偿温度范围:  $-10^{\circ}C \sim +50^{\circ}C$

Service Tem.Range 使用温度范围:  $-20^{\circ}C \sim +60^{\circ}C$

Safe Overload Range 安全过载:  $120\%F.S.$

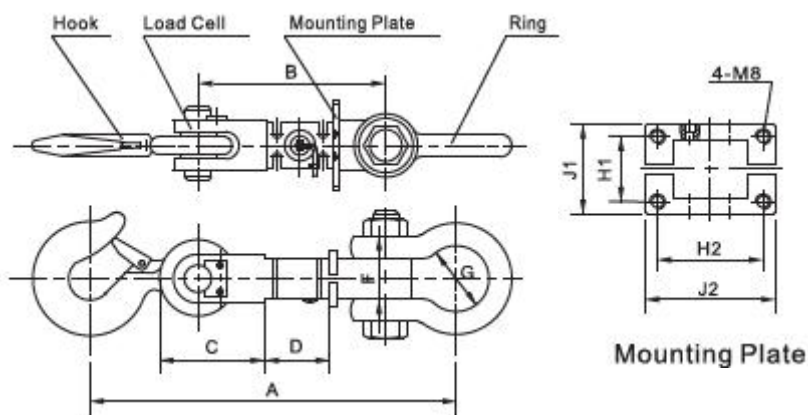
Protection Class 防护等级: IP67

Cable length 电缆长度: 0.5m

Wire Code 接线方式: Red 红 (Ex+) Black 黑 (Ex-)

Green 绿 (Sig+) White 白 (Sig-)

## Outline Dimensions



| Capacity | Size (mm) |       |       |       |       |      |       |        |         | N.W.  |
|----------|-----------|-------|-------|-------|-------|------|-------|--------|---------|-------|
|          | t         | A     | B     | C     | D     | E    | F     | G      | H1*H2   |       |
| 1-3      | 443.0     | 260.0 | 98.0  | 110.0 | 56.0  | 43.0 | 68.0  | 60*70  | 74*84   | 12.0  |
| 5        | 547.0     | 303.0 | 118.0 | 120.0 | 68.0  | 54.0 | 92.0  | 65*90  | 85*110  | 19.0  |
| 10       | 611.0     | 325.0 | 133.0 | 130.0 | 80.0  | 60.0 | 99.0  | 76*110 | 100*130 | 28.5  |
| 20       | 740.0     | 354.0 | 158.0 | 148.0 | 106.0 | 70.0 | 146.0 | 80*130 | 110*160 | 66.0  |
| 30       | 911.0     | 436.0 | 188.0 | 170.0 | 102.0 | 80.0 | 184.0 | 96*136 | 120*160 | 115.0 |

