



## Application

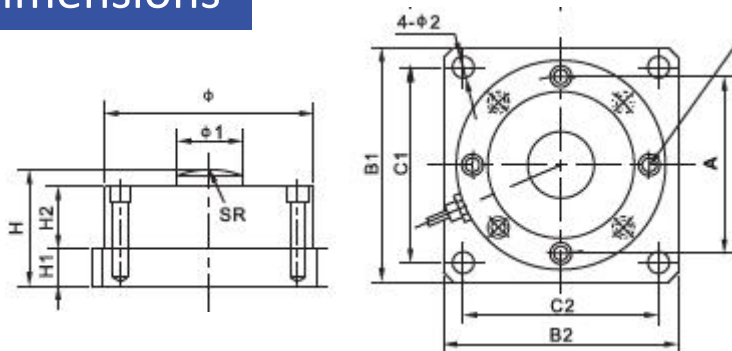
Truck Scale, Railroad Scale, Tester, Crane Scale  
 适用于汽车衡、轨道衡，测力机及吊秤  
 Accessories: Ball, Load Head, Mounting Kits  
 配件：钢球、压头、模块

## Parameter

Material 材料: Alloy 合金钢, Stainless 不锈钢  
 Capacity 量程: 50kg-100t, 1Klb-200Klb  
 Rated Output 额定输出: 2mV/V, 4mV/V  
 Non Linearity 非线性:  $\pm 0.03\%F.S.$   
 Hysteresis 滞后:  $\pm 0.03\%F.S.$   
 Repeatability 重复性:  $\pm 0.02\%F.S.$   
 Creep (30min) 蠕变:  $\pm 0.02\%F.S.$   
 Zero Balance 零点输出:  $\pm 1.00\%F.S.$   
 Tem.Effect on Zero 零点温度系数:  $\pm 0.02\%F.S./10^{\circ}C$   
 Tem.Effect on Output 额定输出温度系数:  $\pm 0.02\%F.S./10^{\circ}C$

Input Impedance 输入电阻:  $385 \pm 15\Omega$ ,  $765 \pm 15\Omega$   
 Out Impedance 输出电阻:  $350 \pm 3\Omega$ ,  $700 \pm 5\Omega$   
 Insulation Impedance 绝缘电阻:  $\geq 5000M\Omega$   
 Excitation Voltage 供桥电压: 10V (DC/AC)  
 Compensated Tem.Range 补偿温度范围:  $-10^{\circ}C \sim +50^{\circ}C$   
 Service Tem.Range 使用温度范围:  $-20^{\circ}C \sim +60^{\circ}C$   
 Safe Overload Range 安全过载:  $120\%F.S.$   
 Protection Class 防护等级: IP67, IP68  
 Cable length 电缆长度: 9m  
 Wire Code 接线方式: Red 红 (Ex+) Black 黑 (Ex-)  
 Green 绿 (Sig+) White 白 (Sig-)

## Outline Dimensions



Capacity		Size (mm)										N.W.
Klb	t	A	Φ	Φ1	Φ2	H	H1	H2	B1XB2	C1XC2	SR	kg
1-15	0.5-7.5	88.9	104.7	34.0	9.0	53.8	15.0	31.8	110*110	86*86	80.0	3.5
25-50	10-25	101.6	120.7	38.9	11.0	77.8	24.0	41.1	126*126	106*106	91.3	4.5
100	50	116.8	140.0	50.4	18.0	86.2	29.0	50.8	150*150	120*120	105.6	10.0
150-200	60-100	162.0	200.0	76.0	26.0	125.0	42.0	70.0	240*240	190*190	200.0	33.8

