

# LHP-4



## Application

Truck Scale, Dynamic Railway Scale, Hopper Scale

适用于汽车衡、动态轨道衡及料斗秤

Accessories: Load Head, Mounting Kits

配件: 压头、模块



## Parameter

Material 材料: Alloy 合金钢, Stainless 不锈钢

Capacity 量程: 20t-60t

Rated Output 额定输出: 2mV/V

Non Linearity 非线性:  $\pm 0.03\%F.S.$

Hysteresis 滞后:  $\pm 0.02\%F.S.$

Repeatability 重复性:  $\pm 0.01\%F.S.$

Creep (30min) 蠕变:  $\pm 0.02\%F.S.$

Zero Balance 零点输出:  $\pm 1.00\%F.S.$

Tem.Effect on Zero 零点温度系数:  $\pm 0.02\%F.S./10^{\circ}C$

Tem.Effect on Output 额定输出温度系数:  $\pm 0.02\%F.S./10^{\circ}C$

Input Impedance 输入电阻:  $700 \pm 5\Omega$

Out Impedance 输出电阻:  $700 \pm 5\Omega$

Insulation Impedance 绝缘电阻:  $\geq 5000M\Omega$

Excitation Voltage 供桥电压: 10V (DC/AC)

Compensated Tem.Range 补偿温度范围:  $-10^{\circ}C \sim +50^{\circ}C$

Service Tem.Range 使用温度范围:  $-20^{\circ}C \sim +60^{\circ}C$

Safe Overload Range 安全过载:  $120\%F.S.$

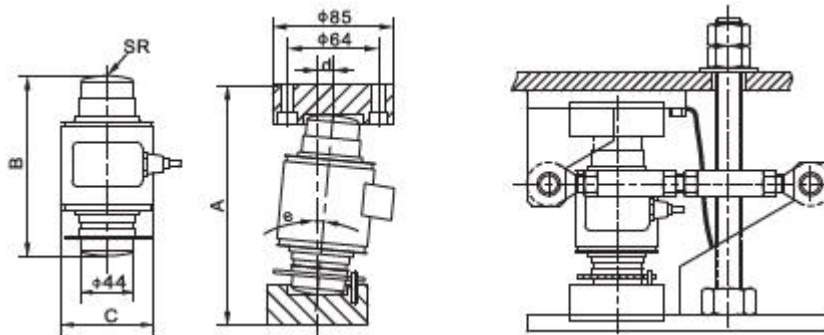
Protection Class 防护等级: IP68

Cable length 电缆长度: 9m

Wire Code 接线方式: Red 红 (Ex+) Black 黑 (Ex-)

Green 绿 (Sig+) White 白 (Sig-)

## Outline Dimensions



Capacity	Size (mm)						N.W.
	A	B	d (max)	C	e (max)	SR	
t							kg
20	200.0	150.0	13.0	76.0	5.0 <sup>o</sup>	130.0	6.5
30	200.0	150.0	13.0	76.0	5.0 <sup>o</sup>	160.0	6.5
40	200.0	150.0	13.0	76.0	5.0 <sup>o</sup>	180.0	6.5
50	260.0	210.0	11.0	88.0	3.0 <sup>o</sup>	220.0	8.0
60	260.0	210.0	11.0	88.0	3.0 <sup>o</sup>	220.0	8.0



Huzhou Liheng Electronic Technology Co., Ltd

[www.lihengkeji.com](http://www.lihengkeji.com)