



Application

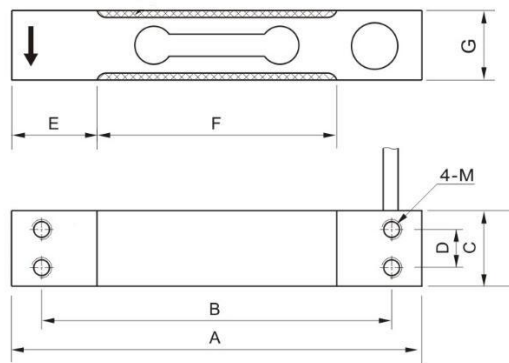
Electronic Price Computing Scale, Platform Scale, and other small capacity scales
 适用于电子计价秤, 电子台秤,
 及各种小量程电子秤
 350mm*350mm

Parameter

Material 材料: Aluminum 铝合金
Capacity 量程: 0.3kg-250kg
Rated Output 额定输出: 2mV/V (1kg-2kg, 1mV/V)
Non Linearity 非线性: $\pm 0.02\%F.S.$
Hysteresis 滞后: $\pm 0.02\%F.S.$
Repeatability 重复性: $\pm 0.01\%F.S.$
Creep (30min) 蠕变: $\pm 0.02\%F.S.$
Zero Balance 零点输出: $\pm 1.00\%F.S.$
Tem.Effect on Zero 零点温度系数: $\pm 0.02\%F.S./10^{\circ}C$
Tem.Effect on Output 额定输出温度系数: $\pm 0.02\%F.S./10^{\circ}C$

Input Impedance 输入电阻: $410 \pm 15\Omega$
Out Impedance 输出电阻: $350 \pm 3\Omega$
Insulation Impedance 绝缘电阻: $\geq 5000M\Omega$
Excitation Voltage 供桥电压: 10V (DC/AC)
Compensated Tem.Range 补偿温度范围: $-10^{\circ}C \sim +50^{\circ}C$
Service Tem.Range 使用温度范围: $-20^{\circ}C \sim +60^{\circ}C$
Safe Overload Range 安全过载: 120%F.S.
Protection Class 防护等级: IP67
Cable length 电缆长度: 3m
Wire Code 接线方式: Red 红 (Ex+) Black 黑 (Ex-)
 Green 绿 (Sig+) White 白 (Sig-)

Outline Dimensions



| Capacity | Size (mm) | | | | | | | | N.W. |
|----------|-----------|-------|------|------|------|------|------|----|------|
| | A | B | C | D | E | F | G | M | |
| kg | | | | | | | | | kg |
| 0.3-0.6 | 70.0 | 58.0 | 15.0 | 7.0 | 12.0 | 40.0 | 22.0 | M3 | 0.3 |
| 1-3 | 70.0 | 58.0 | 15.0 | 7.0 | 12.0 | 46.0 | 22.0 | M3 | 0.3 |
| 6-20 | 130.0 | 106.0 | 30.0 | 15.0 | 25.0 | 76.0 | 22.0 | M6 | 0.4 |
| 25-35 | 130.0 | 106.0 | 40.0 | 15.0 | 27.0 | 76.0 | 23.0 | M6 | 0.4 |
| 40-200 | 130.0 | 106.0 | 50.0 | 25.0 | 27.0 | 76.0 | 23.0 | M6 | 0.5 |
| 200-250 | 130.0 | 106.0 | 50.0 | 25.0 | 27.0 | 76.0 | 23.0 | M8 | 0.5 |

